

TEA series Metal Case Tantalum Capacitors Axial Type Wet Electrolytic

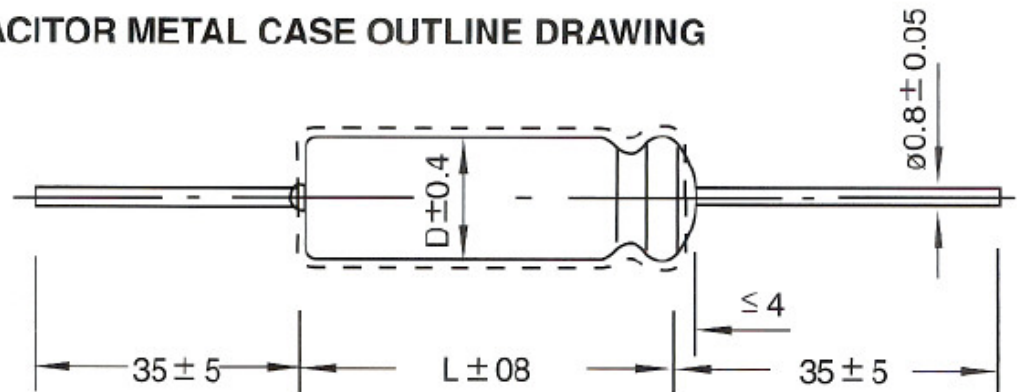
◆ Features

- » Wet Electrolytic
- » Polar Type
- » Hermetically sealed metal cases
- » Axial leads
- » General purpose-extended range



◆ Dimension

TANTALUM CAPACITOR METAL CASE OUTLINE DRAWING



Dimension			
Case	D	L	d
A	4.0+/-0.40	12.0+/-0.80	0.80+/-0.05
B	5.0+/-0.40	14.0+/-0.80	0.80+/-0.05
C	6.0+/-0.40	16.0+/-0.80	0.80+/-0.05
D	8.0+/-0.40	16.0+/-0.80	0.80+/-0.05
E	8.0+/-0.40	22.0+/-0.80	0.80+/-0.05

◆ Rated Voltage, Capacitance of Capacitors

Capacitance (uF)	10 VDC	16 VDC	25 VDC	40 VDC	63 VDC	100 VDC	125 VDC
1.0						A	A
1.5						A	A
2.2						A	A
3.3						A	B
4.7						B	B
6.8						B	C
10					A	B	C
15					B	C	C
22					B	C	D
33				B	C	D	
47				B	D	D	
68			B	C	D		
100			B	C	E		
150		B	C	D	E		
220	B	C	C	D	E		
330	C	D	D				
470	D	D					
680							
1000							

Voltage	10 VDC	16 VDC	25 VDC	40 VDC	63 VDC	100 VDC	125 VDC
Capacitance (uF)	tan δ (120 Hz)%						
1.0-4.7						6	6
6.8						8	8
10					8	10	15
15					10	18	15
22					18	15	20
33				12	12	25	
47				25	25	28	
68			30	20	25		
100			25	35	20		
150		35	50	35	28		
220	45	60	50	30			
330	70	70	40				
470	75	50					
680							
1000							

◆ **Part Number**

TEA	107	M	400	B	-	C
Type	Value	Tolerance	Voltage	Package		Size
TEA	1uF = 105	M: ±20%	40V = 400	B= Bulk		A = 4x12mm
	10uF = 106	K: ±10%	63V = 630			B = 5x14mm
	100uF = 107		100V = 101			C = 6x16mm
			125V = 125			D = 8x16mm
						E = 8x22mm

