

# PPN series

## Polypropylene Film Capacitors

### ◆ Features

- » Low Dissipation Factor and low ESR.
- » Excellent frequency characteristics.
- » High insulation resistance.
- » The armor is a power painted flame resisting epoxy resin. ( correspond to UL V-0 )



### ◆ Applications

- » High fidelity, TV and other high frequency.
- » Typical applications electrical ballasts, TV/ Video, telecommunication and data processing.
- » General purpose circuits.
- » Negative temperature coefficient.
- » Snubber circuit applications.

### ◆ Construction

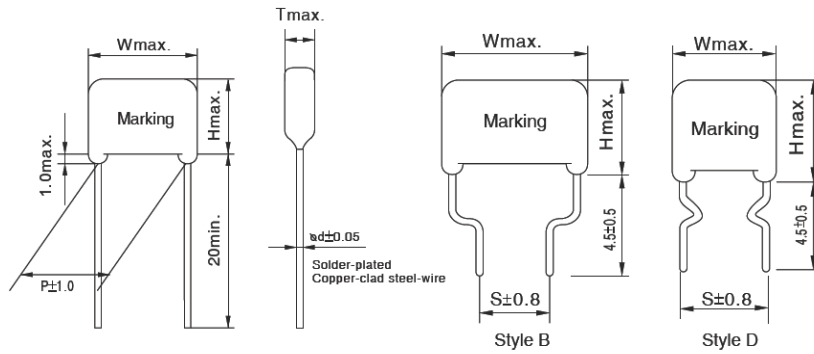
Non-inductive construction using Polypropylenefilm dielectric and aluminum foil electrode with flame retardant epoxy resin coating.

### ◆ Specification

- » Rated Voltage : 100 / 250 / 400 / 630 / 1000 VDC
- » Rated Temperature : -40 ~ +85°C
- » Capacitance Range : 390 pF to 0.47 uF
- » Capacitance Tolerance: ±5% (J) / ±10% (K)

### ◆ Part Number

PPN	103	K	401	R	B	-	10		
Type	Capacitance	Tolerance	Voltage	Lead	Packing	Pitch	Cutting	Lead Length	
PPN	1000pF=102	J: 5%	400V =401	R= Radial	B=Bulk		Blank=Standard		
	10nF=103	K: 10%	630V =631	A= Axial	T=Tape for Reel		C=Cutting (mm)		
	0.47uF=474	M: 20%							



Pitch (mm)	$\phi$ d
7.0 ~ 10.0	0.6
15.0 ~ 27.5	0.8

## ◆ Dimension

W x H x T x P: Max. mm

Capacitance (uF)	100 VDC	250 VDC	400 VDC	630 / 1000VDC
0.00039			10.0 x 8.5 x 5.0 x 7.0	10.0 x 8.5 x 5.0 x 7.0
0.00047			10.0 x 8.5 x 5.0 x 7.0	10.0 x 8.5 x 5.0 x 7.0
0.00068	10.5 x 8.5 x 5.0 x 7.5	10.5 x 8.5 x 5.0 x 7.5	10.5 x 8.5 x 5.0 x 7.5	10.5 x 8.5 x 5.0 x 7.5
0.00075	10.5 x 9.5 x 5.0 x 7.5	10.5 x 9.5 x 5.0 x 7.5	10.5 x 9.5 x 5.5 x 7.5	10.5 x 9.5 x 5.5 x 7.5
0.00082	10.5 x 9.5 x 5.5 x 7.5	10.5 x 9.5 x 5.5 x 7.5	10.5 x 9.5 x 5.5 x 7.5	10.5 x 9.5 x 5.5 x 7.5
0.001	10.5 x 9.5 x 5.5 x 7.5	10.5 x 9.5 x 5.5 x 7.5	10.5 x 9.5 x 5.5 x 7.5	10.5 x 9.5 x 5.5 x 7.5
0.0015	10.5 x 9.5 x 6.0 x 7.5	10.5 x 9.5 x 6.0 x 7.5	13.0 x 10.0 x 6.0 x 10.0	13.0 x 11.5 x 6.0 x 10.0
0.0022	10.5 x 9.5 x 6.0 x 7.5	10.5 x 9.5 x 6.0 x 7.5	13.0 x 10.5 x 6.5 x 10.0	13.0 x 12.0 x 6.5 x 10.0
0.0033	10.5 x 9.5 x 6.0 x 7.5	10.5 x 9.5 x 6.0 x 7.5	13.0 x 11.0 x 7.0 x 10.0	13.0 x 13.5 x 7.0 x 10.0
0.0047	10.5 x 9.5 x 6.0 x 7.5	10.5 x 9.5 x 6.0 x 7.5	13.0 x 11.5 x 7.5 x 10.0	13.0 x 14.5 x 8.0 x 10.0
0.0068	10.5 x 9.5 x 6.0 x 7.5	10.5 x 9.5 x 6.0 x 7.5	13.0 x 12.0 x 8.0 x 10.0	13.0 x 14.5 x 8.0 x 10.0
0.0082	10.5 x 10.0 x 6.0 x 7.5	10.5 x 10.0 x 6.0 x 7.5	13.0 x 12.5 x 8.0 x 10.0	13.0 x 14.5 x 8.0 x 10.0
0.010	10.5 x 10.5 x 6.5 x 7.5	10.5 x 10.5 x 6.5 x 7.5	13.0 x 12.5 x 8.5 x 10.0	13.0 x 14.5 x 8.0 x 10.0
0.015	10.5 x 11.5 x 7.0 x 7.5	13.0 x 11.0 x 6.0 x 10.0	13.0 x 12.5 x 8.5 x 10.0	13.0 x 14.5 x 8.0 x 10.0
0.022	13.0 x 12.0 x 6.5 x 10.0	13.0 x 12.0 x 7.0 x 10.0	18.0 x 13.0 x 8.5 x 15.0	18.0 x 20.0 x 11.5 x 15.0 18.4 x 14.4 x 7.5 x 15.0
0.033	18.0 x 12.0 x 6.5 x 15.0	18.0 x 14.5 x 8.0 x 15.0	18.0 x 14.0 x 9.5 x 15.0	25.0 x 19.0 x 11.0 x 22.5
0.047	18.0 x 13.0 x 7.0 x 15.0	18.0 x 15.5 x 8.5 x 15.0	18.0 x 16.0 x 11.5 x 15.0	25.0 x 21.0 x 12.5 x 22.5
0.068	18.0 x 14.0 x 8.0 x 15.0	18.0 x 16.5 x 9.5 x 15.0	25.0 x 16.0 x 10.0 x 22.5	30.0 x 20.0 x 12.0 x 27.5
0.082	18.0 x 15.0 x 8.5 x 15.0	18.0 x 17.0 x 10.0 x 15.0	25.0 x 17.5 x 11.0 x 22.5	30.0 x 21.5 x 13.0 x 27.5
0.10	18.0 x 16.0 x 9.0 x 15.0	25.0 x 18.0 x 12.0 x 22.5	30.0 x 18.0 x 12.0 x 27.5	30.0 x 23.0 x 14.0 x 27.5
0.12	18.0 x 17.0 x 9.5 x 15.0	25.0 x 19.0 x 12.5 x 22.5	30.0 x 19.0 x 12.5 x 27.5	30.0 x 24.5 x 15.0 x 27.5
0.15	25.0 x 15.0 x 8.5 x 22.5	25.0 x 20.0 x 13.0 x 22.5	30.0 x 20.0 x 13.0 x 27.5	30.0 x 26.0 x 15.5 x 27.5
0.18	25.0 x 16.0 x 9.5 x 22.5	25.0 x 21.0 x 13.5 x 22.5	30.0 x 21.0 x 14.0 x 27.5	30.0 x 27.0 x 16.5 x 27.5
0.22	25.0 x 17.0 x 10.5 x 22.5	30.0 x 20.0 x 12.0 x 27.5	20.0 x 22.0 x 14.5 x 27.5	30.0 x 28.0 x 17.0 x 27.5
0.27	25.0 x 19.0 x 11.5 x 22.5	30.0 x 22.0 x 13.0 x 27.5	30.0 x 24.0 x 16.0 x 27.5	
0.33	30.0 x 18.5 x 10.5 x 27.5	30.0 x 23.0 x 14.0 x 27.5	30.0 x 26.5 x 18.0 x 27.5	
0.47	30.0 x 21.5 x 12.5 x 27.5	30.0 x 25.5 x 17.0 x 27.5	30.0 x 29.0 x 21.0 x 27.5	

For enquiry on items not within the above range or with special dimensions, please contact us for availability.  
All product specification and data are subject to change without notice.