

## PEI series

### Polyester Film Inductive Capacitors

#### ◆ Features

- » Small size, light weight and low cost.
- » Good solderability.
- » Available for automatic insertion.
- » Non-inductive construction.



#### ◆ Applications

- » Coupling and decoupling.
- » Consumer electronic products.
- » Widely used in DC and pulsating circuits of radio, TV sets.
- » Suitable for any photoflash, disposable camera.  
( The PEI F.S. series specification are required. )

#### ◆ Construction

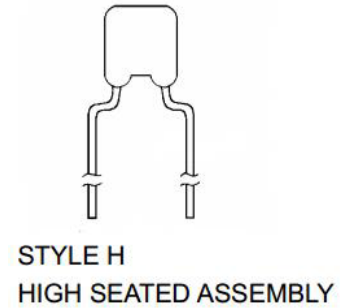
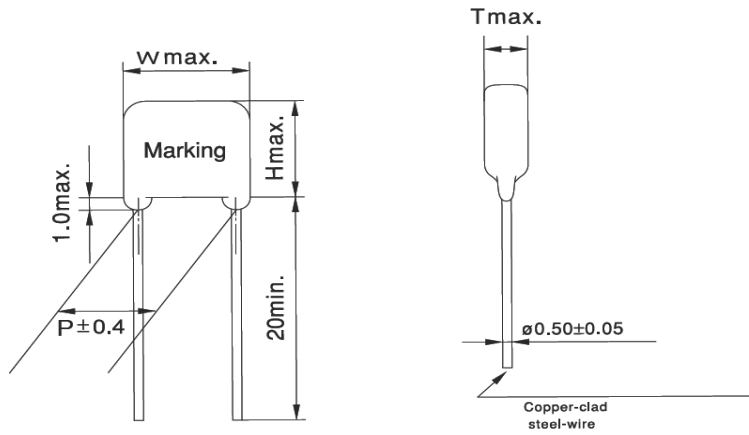
Capacitor with polyester film and metal foil electrodes. Radial leads of tinned wire are electrically welded to the electrodes. Coated with epoxy resin.

#### ◆ Specification

- » Rated Voltage : 50 / 100 / 250 / 400 / 630 VDC
- » Rated Temperature : -40 ~ +85°C
- » Capacitance Range : 0.001 to 0.47  $\mu$ F
- » Capacitance Tolerance:  $\pm$ 5% (J) /  $\pm$ 10% (K)

#### ◆ Part Number

PEI	103	J	500	R	B	-	6.5		
Type	Capacitance	Tolerance	Voltage	Lead	Packing	Pitch	Cutting	Lead Length	
PEI	1000pF=102	J: 5%	50V =500	R= Radial	B= Bulk		Blank=Standard		
	10nF=103	K: 10%	630V =631	H= High seated assembly	T= Tape in box		C=Cutting (mm)		
	0.47 $\mu$ F=474								



## ◆ Dimension

W x H x T x P: Max. mm

Capacitance (uF)	50 VDC/100 VDC	250 VDC	400 VDC	630 VDC
0.0010	5.0 x 9.5 x 2.5 x 3.0	5.5 x 9.5 x 3.0 x 3.0	7.0 x 11.5 x 4.0 x 4.0	7.0 x 12.0 x 4.5 x 4.0
0.0012	5.0 x 9.5 x 2.5 x 3.0	5.5 x 9.5 x 3.0 x 3.0	7.0 x 12.0 x 4.0 x 4.0	8.0 x 12.0 x 5.0 x 4.0
0.0015	5.0 x 9.5 x 2.5 x 3.0	5.5 x 9.5 x 3.0 x 3.0	7.5 x 12.0 x 4.0 x 4.0	8.5 x 13.0 x 6.0 x 4.0
0.0018	5.0 x 9.5 x 2.5 x 3.0	5.5 x 9.5 x 3.0 x 3.0	7.5 x 12.5 x 4.0 x 4.0	8.5 x 13.0 x 6.5 x 4.0
0.0022	5.0 x 9.5 x 2.5 x 3.0	5.5 x 9.5 x 3.0 x 3.0	7.5 x 12.5 x 4.0 x 4.0	9.0 x 13.0 x 6.5 x 4.0
0.0027	5.0 x 9.5 x 3.0 x 3.0	5.5 x 9.5 x 3.0 x 3.0	8.0 x 13.0 x 4.5 x 4.5	9.0 x 13.0 x 6.5 x 4.0
0.0032	5.0 x 9.5 x 3.5 x 3.0	5.5 x 9.5 x 3.0 x 3.0	8.0 x 13.0 x 4.5 x 4.5	9.5 x 13.0 x 6.5 x 4.5
0.039	5.0 x 9.5 x 3.5 x 3.0	5.5 x 9.5 x 3.0 x 3.0	9.0 x 14.0 x 5.0 x 5.0	10.0 x 13.0 x 7.0 x 4.0
0.0047	5.0 x 9.5 x 3.5 x 3.0	5.5 x 9.5 x 3.0 x 3.0	9.0 x 14.0 x 5.0 x 5.0 5.5 x 9.0 x 3.0 x 10.0	10.0 x 13.0 x 8.0 x 4.0
0.0056	5.0 x 9.5 x 3.5 x 3.0	6.0 x 9.5 x 3.0 x 3.0	9.0 x 14.0 x 5.0 x 5.0	10.0 x 13.0 x 9.0 x 5.0
0.0068	5.0 x 9.5 x 3.5 x 3.0	6.0 x 9.5 x 3.0 x 3.0	9.0 x 14.0 x 5.0 x 5.0	11.0 x 14.0 x 10.0 x 5.0
0.0082	5.0 x 9.5 x 3.5 x 3.0	6.0 x 9.5 x 3.0 x 3.0	10.5 x 15.0 x 6.5 x 6.5	12.0 x 15.0 x 11.0 x 6.5
0.010	5.0 x 10.0 x 3.5 x 3.0	6.5 x 11.5 x 4.0 x 3.0	10.5 x 15.0 x 6.5 x 6.5	12.0 x 15.0 x 12.0 x 6.5
0.012	6.0 x 10.0 x 3.0 x 3.5	6.5 x 11.5 x 4.0 x 3.5	12.5 x 15.5 x 8.0 x 8.0	12.0 x 15.0 x 12.0 x 8.0
0.015	6.0 x 10.0 x 3.0 x 3.5	7.0 x 11.5 x 4.0 x 3.5	12.0 x 15.5 x 8.0 x 8.0	13.0 x 15.0 x 13.0 x 8.0
0.018	6.0 x 10.0 x 3.5 x 4.5	7.0 x 11.5 x 4.0 x 4.0	12.0 x 18.5 x 8.0 x 8.0	14.0 x 15.0 x 14.0 x 8.0
0.022	6.5 x 10.0 x 3.5 x 4.5	7.5 x 11.5 x 4.0 x 4.5	12.0 x 18.5 x 8.0 x 8.0	14.0 x 16.0 x 14.0 x 8.0
0.027	6.5 x 10.0 x 3.5 x 4.5	8.0 x 12.5 x 4.5 x 4.5	13.5 x 21.0 x 8.0 x 8.0	15.0 x 16.0 x 14.0 x 10.0
0.033	6.5 x 10.0 x 3.5 x 4.5	9.0 x 13.0 x 6.5 x 6.5	13.5 x 21.0 x 8.0 x 8.0	15.0 x 18.0 x 14.0 x 10.0
0.039	8.5 x 11.5 x 3.5 x 4.5	9.0 x 13.5 x 7.0 x 6.5	15.5 x 22.0 x 9.5 x 10.0	16.0 x 18.0 x 14.0 x 10.0
0.047	8.5 x 11.5 x 4.0 x 5.5	9.5 x 14.0 x 7.0 x 6.5	15.5 x 22.0 x 9.5 x 10.0	16.0 x 20.0 x 14.0 x 10.0
0.056	8.5 x 11.5 x 4.0 x 5.5	11.0 x 16.0 x 8.5 x 6.5	17.5 x 23.5 x 11.5 x 10.0	16.0 x 22.0 x 14.0 x 10.0
0.068	9.0 x 11.5 x 4.5 x 6.0	12.5 x 16.0 x 8.5 x 6.5	17.5 x 23.5 x 11.5 x 10.0	18.0 x 22.0 x 14.0 x 10.0
0.082	9.5 x 12.5 x 5.0 x 6.0	14.0 x 19.0 x 10.0 x 8.0	19.0 x 24.5 x 11.0 x 10.0	
0.10	11.0 x 12.5 x 5.5 x 7.0	14.0 x 19.0 x 10.0 x 8.0	19.0 x 24.5 x 11.0 x 10.0	
0.12	12.0 x 12.5 x 6.0 x 7.0	17.0 x 19.0 x 10.0 x 8.0		
0.15	11.0 x 14.0 x 6.0 x 7.0	17.0 x 22.0 x 11.0 x 10.5		
0.22	12.5 x 15.0 x 7.0 x 7.5	19.0 x 22.0 x 12.0 x 10.5		
0.33	14.5 x 16.5 x 8.5 x 8.0			
0.47	16.0 x 18.0 x 9.0 x 10.0			

For enquiry on items not within the above range or with special dimensions, please contact us for availability.  
All product specification and data are subject to change without notice.